



MS513 Digital Projector

Highlights

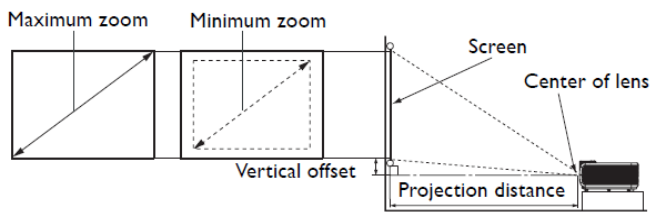
- Power Saving Functions
- HDMI connectivity
- Thoughtful Design



| | | |
|---|--|--|
| Projection System | DLP | |
| Native Resolution | SVGA(800x600) | |
| Brightness | 2700 ANSI lumens | |
| Contrast Ratio | 10000:1 | |
| Display Color | 1.07 Billion Colors | |
| Lens | F=2.51-2.69, f=21.95-24.18mm | |
| Aspect Ratio | Native 4:3 (5 aspect ratio selectable) | |
| Throw Ratio | 1.97-2.17(50"@2m) | |
| Image Size (Diagonal) | 30" to 300" | |
| Zoom Ratio | 1.1:1 | |
| Lamp Type | 190W | |
| Lamp(Normal/Economic/SmartEco Mode)* | 4500/6000/6500 hours | |
| Keystone Adjustment | 1D, Vertical ± 40 degrees | |
| Projection Offset | 120% ±5% | |
| Resolution Support | VGA(640 x 480) to UXGA(1600 x 1200) | |
| Horizontal Frequency | 31-90KHz | |
| Vertical Scan Rate | 50-120Hz | |
| Compatibility | HDTV Compatibility | 480i, 480p, 576i, 576p, 720p, 1080i, 1080p |
| | Video Compatibility | NTSC, PAL, SECAM |
| | 3D Compatibility | PC: 120Hz Frame Sequential 3D for resolutions up to WXGA PC: 60Hz Top-bottom 3D for resolutions up to SXGA+ Video: 60Hz Frame Sequential 3D for resolutions up to 480i |
| Interface | Computer in (D-sub 15pin) | x 2(Share with component) |
| | Monitor out (D-sub 15pin) | x 1 |
| | Composite Video in (RCA) | x 1 |
| | S-Video in (Mini DIN 4pin) | x 1 |
| | Audio in (Mini Jack) | x 1 |
| | Audio out (Mini Jack) | x 1 |
| | Speaker | 2W x 1 |
| | HDMI V1.3 | x 1 |
| | USB (Type Mini B) | x 1 (Download & Page up/down) |
| | RS232 (DB-9pin) | x 1 |
| Dimensions | Dimensions(W x H x D) | 302 x 124 x 232.7 mm |
| | Weight | 2.45kg(5.39lbs) |
| Power | Power Supply | AC 100 to 240 V, 50/60 Hz |
| | Power Consumption | 245W, Standby < 1W |
| Audible Noise | 27/25 dB (Normal/Economic mode) | |
| On-Screen Display Languages | English/ France/ Germany/ Italian/ Spanish/ Russian/ Traditional Chinese/ Simplified Chinese/ Japanese/ Korean/ Swedish/ Dutch/ Turkish/ Czech/ Portuguese/ Thai/ Polish/ Hungarian/ Croatian/ Romanian/ Norwegian/ Danish/ Bulgaria/ Finnish/ Indonesian/ Greek/ Hindi/ Arabic (28 Languages) | |
| Picture Modes | Dynamic/Presentation/sRGB/Cinema/User 1/User 2 | |
| Accessories | Standard | Optional |
| | Remote Control w/ Battery | Presentation Plus P/N: 65J9306.002 |
| | Power Cord (by region) | Spare Lamp Kit P/N: 5JJ5E05.001 |
| | User Manual CD | Ceiling Mount P/N: 5JJ2K01.001 |
| | Quick Start Guide | 3D Glasses P/N: 5JJ0T14.011 |
| | Warranty Card (by region) | Carry Bag |
| | VGA(D-sub 15pin) Cable | |

*Lamp life results will vary depending on environmental conditions and usage. Actual product's features and specifications are subject to change without notice.

Distance Chart

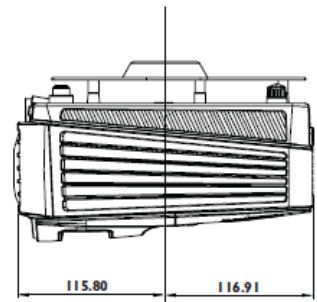
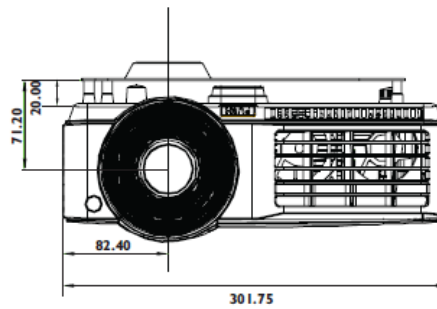
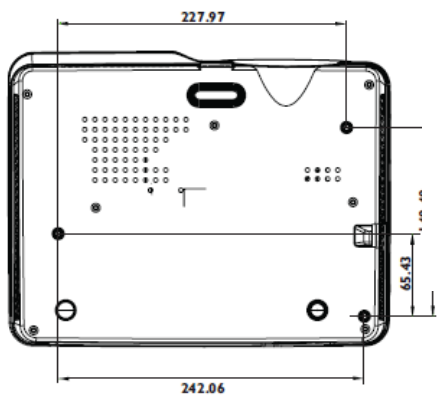


MX514/MS513

| Screen size | | | | Distance from screen (mm) | | | Vertical offset (mm) |
|-------------|------|------|------|---------------------------|---------|------------------------|----------------------|
| Diagonal | | W | H | Min length (max. zoom) | Average | Max length (min. zoom) | |
| Inch | mm | (mm) | (mm) | | | | |
| 30 | 762 | 610 | 457 | 1200 | 1260 | 1320 | 69 |
| 40 | 1016 | 813 | 610 | 1600 | 1680 | 1760 | 91 |
| 50 | 1270 | 1016 | 762 | 2000 | 2100 | 2200 | 114 |
| 60 | 1524 | 1219 | 914 | 2400 | 2520 | 2640 | 137 |
| 80 | 2032 | 1626 | 1219 | 3200 | 3360 | 3520 | 183 |
| 100 | 2540 | 2032 | 1524 | 4000 | 4200 | 4400 | 229 |
| 120 | 3048 | 2438 | 1829 | 4800 | 5040 | 5280 | 274 |
| 150 | 3810 | 3048 | 2286 | 6000 | 6300 | 6600 | 343 |
| 200 | 5080 | 4064 | 3048 | 8000 | 8400 | 8800 | 457 |
| 220 | 5588 | 4470 | 3353 | 8800 | 9240 | 9680 | 503 |
| 250 | 6350 | 5080 | 3810 | 10000 | 10500 | 11000 | 572 |
| 300 | 7620 | 6096 | 4572 | 12000 | 12600 | 13200 | 686 |

Wall mount Chart

Ceiling mount screws:
M4 x 8 (Max. L = 8 mm)



Unit: mm

Dimension

